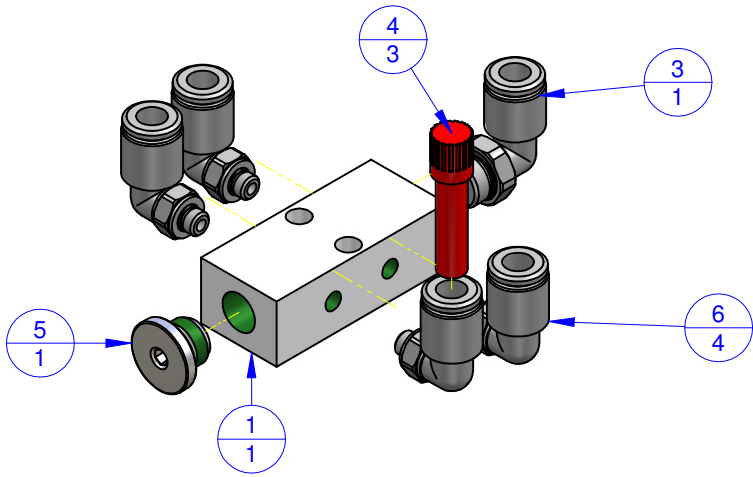


THE PROPERTY OF THIS DRAWING IS ESTABLISHED BY LAW
IT IS FORBIDDEN TO REPRODUCE IT OR SHOW IT TO THIRD PARTY
WITHOUT A WRITTEN AGREEMENT.

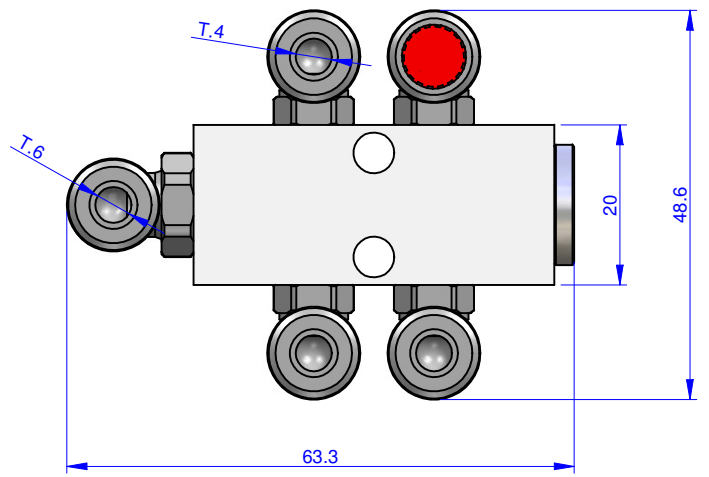
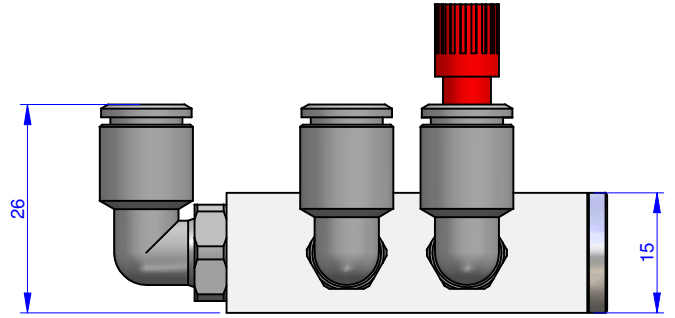
MODIFICATIONS: _____
 (7) (8) (9)
 VARIED DIMENSIONS AS OF DATE: _____
 (10) (11) (12)

MODIFICATIONS: _____
 (1) (2) (3)
 VARIED DIMENSIONS AS OF DATE: _____
 (4) (5) (6)

Format **A3**
 UNI 936-76



Object Number	Name	QTY
1	CA.13.02.001	1
3	CA.12.05.003	1
5	CA.08.14.014	1
6	CA.12.05.002	4
7*	CA.12.05.037	1



FP Services		DESIGNED FROM FPSERVICES	
GENERAL TOLERANCE: UNI - ISO 2768 CLASSE f		DATE 04/2008	WEIGHT 0,089 kg
DESCRIPTION		CODE KIT.13.02.006	

